

## Feedthrough Terminal Block ▶ 826 Series

CAGE CLAMP® ▶ Actuation type: Operating tool ▶ Mounting type: Locking claw ▶ 4 mm<sup>2</sup> ▶ Pin spacing: 7 mm (0.276 inch) ▶ Color: gray

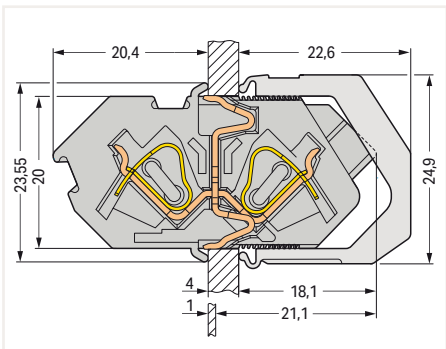
Modular terminal block

Modular terminal block ▶ Included inklusive Abschlussplatte

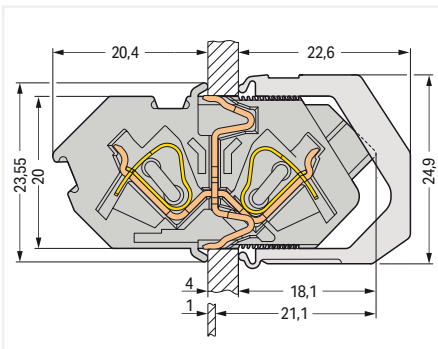


Color	Item No.	PU (SPU)
● gray	826-160	50 (25)

Color	Item No.	PU (SPU)
● gray	826-159	50 (25)



Cut-out dimensions: H = 20.1\*0.1 mm; L = (pole no. x 7 mm) + 1.6\*0.1 mm



Cut-out dimensions: H = 20.1\*0.1 mm; L = (pole no. x 7 mm) + 1.6\*0.1 mm

### Accessories; for all products on this page



Retaining clip, as replacement; Color gray		
Pole No.	Item No.	PU (SPU)
2	826-155	50 (25)
3	826-156	50 (25)
4	826-157	50 (25)

End plate; 1.5 mm		
Color	Item No.	PU (SPU)
● gray	826-158	100 (25)
● blue	826-158/000-006	100 (25)
● green-yellow	826-158/000-016	100 (25)

PU = Packaging Unit; SPU = Subpackaging Unit; Dimensions in mm

Other variants can be requested via the WAGO sales department or, if necessary, configured at <https://configurator.wago.com/>:

- Other pole numbers
- Other colors
- Direct marking